

FEATURES

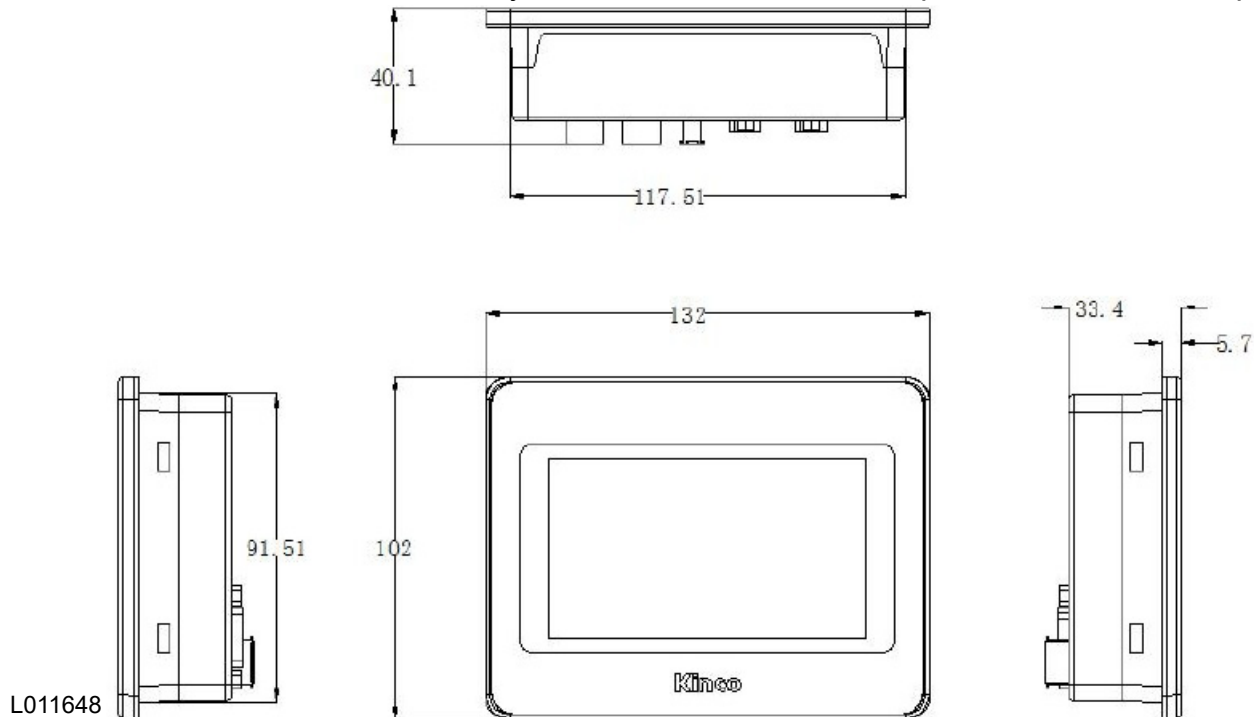
- 65536 Colors
- LCD Lifetime up to 50,000 Hours
- 480x272 Pixels
- 4.3" LCD Display Screen
- HMI and PLC are attached
- IP65 Protection Level on Front Panel
- 24 VDC Input Voltage
- Backlight LED
- 128M Flash and 32M DDR2 Memory
- Communication Ports: USB2.0, RS485



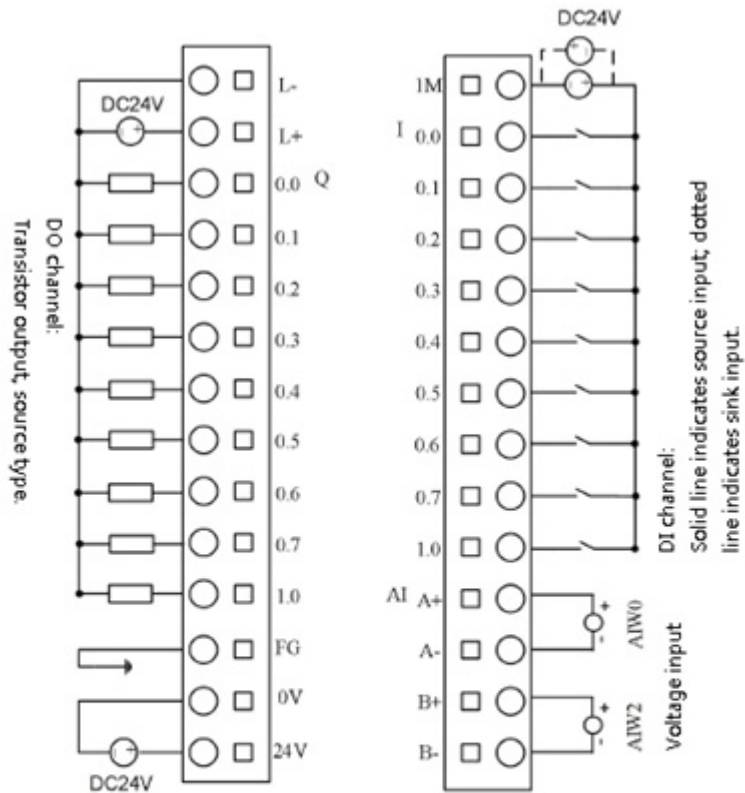
DESCRIPTION

The HP043-20DT and HP043-20DTC are HMIs with integrated PLCs that provide a reliable system to help your application run smoothly and efficiently. This HMI/PLC combination features a 65536 color display mode that enhances your touch screen with rich color and incomparable resolution. The IP65-rated front screen is protected against dust ingress and may be subjected to low-pressure water jets. On the backside, the PLC is directly attached and integrated into the same package with the HMI. The PLC provides special I/O functions, a USB2.0 (USB-B Connector) programming port, four high-speed counters, three high-speed outputs, either one or two RS485 communication/serial port(s), model dependent, integrated digital input and output channels, and more. Built-in high-speed pulse outputs can reach a maximum frequency of 50 KHz. KincoBuilder software provides absolute and relative positioning, homing, jogging, and quick stop instructions for programming the PLC functions, while HP Builder software is a convenient and powerful configuration software that allows the user to create first-class, efficient programs for the HMI. KincoBuilder and HP Builder software are both required to operate this integrated device, and are available for free on our website. With a quick and easy set-up, the HP043-20DT series is an intelligent choice for users who need the functionality of an HMI and PLC in one powerful, streamlined package.

DIMENSIONS



L011648



RS485 (PORT1)

	Define	PIN
RS485+	A	6
RS485-	B	1
	GND	5

Performance Specification	HP043-20DT	HP043-20DTC
Display	4.3" TFT (16:9)	
Resolution	480x272 Pixels	
Color	65,536 Colors	
Backlight	LED	
Brightness	250 cd/m ²	
Backlight Life	50,000 Hrs	
Touch Panel	4-Wire Precision Resistance Network	
Processor	32-bit RISC CPU 520 MHz	
Memory	128M Flash + 32M DDR2	
Expandable Memory	1 USB Host	
Recipe Memory & RTC	256KB	
Program Download	1 USB	
Serial / COM Port	1*RS485, USB2.0, baud rate up to 115.2kbps Support programming protocol, Modbus RTU master/slave, free protocol	2*RS485, USB2.0, baud rate up to 115.2kbps Support programming protocol, Modbus RTU master/slave, free protocol
Built-in Digital Points	9*DI / 9*DO	
Built-in Analog Points	2*AI	2 Cold Junction Internal Compensation or External Compensation is Optional, J Type, K Type, E Type, S Type
Expansion Modules	None	
Electrical Specification		
Rated Power	2.4W	
Rated Voltage	24 VDC	
Input Range	12~28 VDC	
Voltage Range	DC 20.4V - 28.8V	
Insulation Resistance	> 50M Ω @ 500 VDC	
Dielectric Strength Test	500 VAC 1 Minute	
Structure Specification		
Shell Color	Black and Grey	
Shell Material	ABS	
Dimensions(mm)	132 x 102 x 40.1	
Cutout Size(mm)	119 x 93	
Weight (lbs)	0.34	
Environment Specification		
Operating Temperature	0°~ +50° C	
Operating Humidity	10~90% Non-Condensing	
Storage Temperature	-10°~ +60° C	
Storage Humidity	10~90% Non-Condensing	
Cooling Method	Natural Air Cooling	
Certification		
Degree of Protection	IP65 (Front Panel)	